



Espacenet

Bibliographic data: EP0601646 (A1) — 1994-06-15

Single-to-differential converter.

Inventor(s): NAUTA BRAM [NL] \pm (NAUTA, BRAM)

Applicant(s): KONINKL PHILIPS ELECTRONICS NV [NL] \pm (PHILIPS ELECTRONICS N.V, ; KONINKLIJKE PHILIPS ELECTRONICS N.V)

Classification: - **international:** ***H03F3/26***; (IPC1-7): H03F3/26
- **cooperative:** ***H03F3/265***

Application number: EP19930203391 19931203

Priority number(s): EP19930203391 19931203 ; EP19920203839 19921211

Also published as: EP0601646 (B1)

Abstract of EP0601646 (A1)

Single-to-differential converter for generating two balanced output signals from one single ended input signal, comprising: first (3) and second (6) output terminals for providing the balanced output signals; a first transistor (M1) having a control electrode coupled to an input terminal (4) for receiving the input signal, a first main electrode coupled to a supply voltage terminal (1) for receiving a supply voltage and a second main electrode coupled to the first output terminal (3); a second transistor (M2) having a control electrode coupled to a bias voltage terminal (5), a first main electrode coupled to the control electrode of the first transistor (M1) and a second main electrode connected to the second output terminal (6); a diode connected third transistor (M3) having its main current path coupled to the first output terminal (3);; and a diode connected fourth transistor (M4) having a its main current path connected to the

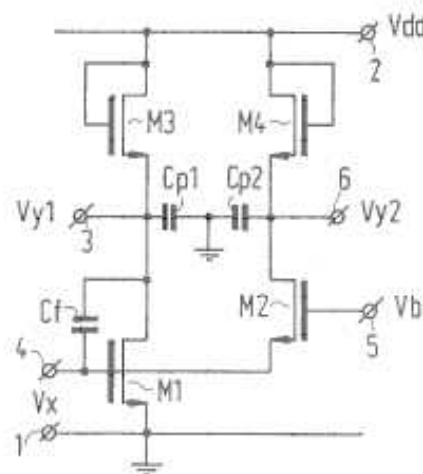


FIG. 1

second output terminal (6).