

(19) World Intellectual Property Organization
International Bureau



(43) International Publication Date
7 October 2004 (07.10.2004)

PCT

(10) International Publication Number
WO 2004/086615 A1

(51) International Patent Classification⁷: **H03G 3/00**,
7/00, H03M 7/00

Holstlaan 6, NL-5656 AA Eindhoven (NL). **NUIJTEN, Petrus, A., C., M.** [NL/NL]; c/o Prof. Holstlaan 6, NL-5656 AA Eindhoven (NL).

(21) International Application Number:
PCT/IB2004/050324

(74) Agent: **DUIJVESTIJN, Adrianus, J.**; Prof. Holstlaan 6, NL-5656 AA Eindhoven (NL).

(22) International Filing Date: 24 March 2004 (24.03.2004)

(81) Designated States (unless otherwise indicated, for every kind of national protection available): AE, AG, AL, AM, AT, AU, AZ, BA, BB, BG, BR, BW, BY, BZ, CA, CH, CN, CO, CR, CU, CZ, DE, DK, DM, DZ, EC, EE, EG, ES, FI, GB, GD, GE, GH, GM, HR, HU, ID, IL, IN, IS, JP, KE, KG, KP, KR, KZ, LC, LK, LR, LS, LT, LU, LV, MA, MD, MG, MK, MN, MW, MX, MZ, NA, NI, NO, NZ, OM, PG, PH, PL, PT, RO, RU, SC, SD, SE, SG, SK, SL, SY, TJ, TM, TN, TR, TT, TZ, UA, UG, US, UZ, VC, VN, YU, ZA, ZM, ZW.

(25) Filing Language: English

(26) Publication Language: English

(30) Priority Data:
03100799.0 27 March 2003 (27.03.2003) EP

(71) Applicant (for all designated States except US): **KONINKLIJKE PHILIPS ELECTRONICS N.V.** [NL/NL]; Groenewoudseweg 1, NL-5621 BA Eindhoven (NL).

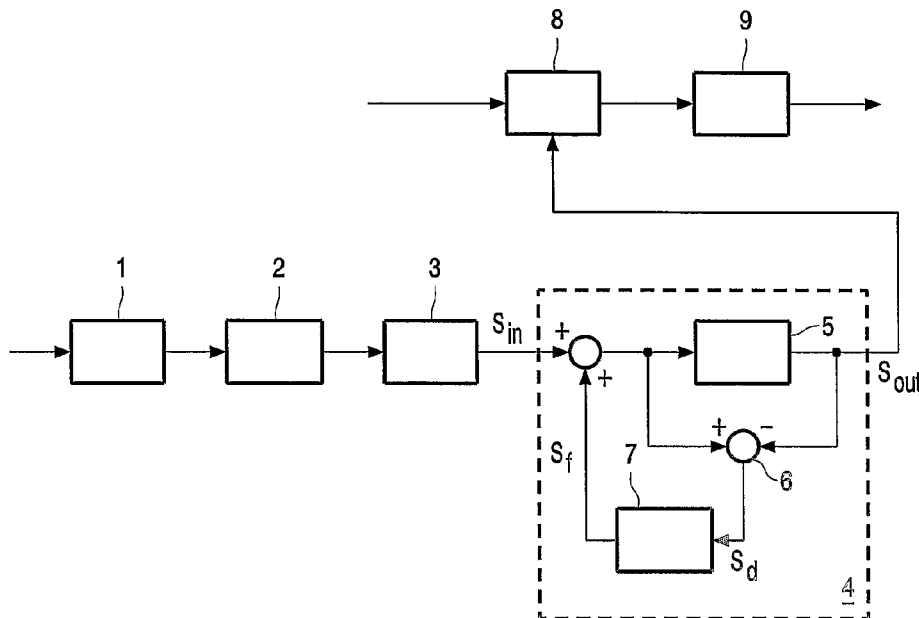
(84) Designated States (unless otherwise indicated, for every kind of regional protection available): ARIPO (BW, GH, GM, KE, LS, MW, MZ, SD, SL, SZ, TZ, UG, ZM, ZW), Eurasian (AM, AZ, BY, KG, KZ, MD, RU, TJ, TM), European (AT, BE, BG, CH, CY, CZ, DE, DK, EE, ES, FI, FR, GB, GR, HU, IE, IT, LU, MC, NL, PL, PT, RO, SE, SI, SK,

(72) Inventors; and

(75) Inventors/Applicants (for US only): **SCHINKEL, Daniel** [NL/NL]; c/o Prof. Holstlaan 6, NL-5656 AA Eindhoven (NL). **VAN TUIJL, Adrianus, J., M.** [NL/NL]; c/o Prof.

[Continued on next page]

(54) Title: VOLUME CONTROL DEVICE FOR DIGITAL SIGNALS



(57) Abstract: A digital volume control device comprises a logic unit for volume control of digital input signals. Successively supplied m-bits words with maximally k bits active, derived from the output signals of or supplied by a volume control (4) with a quantizer (5) element the filtered m-bits workds are passed, however, with only the j most significant active bits of these filtered signals. The noise shaper operates with a frequency that is a k/j-fold of the frequency by which the m-bits words are supplied. An up-sampler (3) is provided for operation frequency adjustment of the filtered m-bits words to the noise shaper. This operation frequency is at least a factor k/j greater than the sample rate of the digital input signals. The control signals for the logic unit are formed by the m-bits words passed by the quantizer.

WO 2004/086615 A1

