

(19) World Intellectual Property Organization
International Bureau



(43) International Publication Date
13 October 2005 (13.10.2005)

PCT

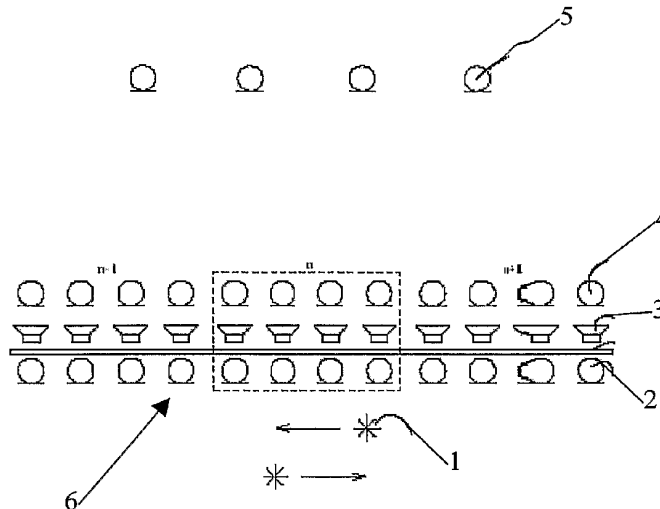
(10) International Publication Number
WO 2005/096269 A1

- (51) International Patent Classification⁷: **G10K 11/178**
- (21) International Application Number: PCT/NL2005/000234
- (22) International Filing Date: 31 March 2005 (31.03.2005)
- (25) Filing Language: English
- (26) Publication Language: English
- (30) Priority Data: 04076031.6 31 March 2004 (31.03.2004) EP
- (71) Applicant (for all designated States except US): **NEDERLANDSE ORGANISATIE VOOR TOEGEPAST-NATUURWETENSCHAPPELIJK ONDERZOEK TNO** [NL/NL]; Schoemakerstraat 97, NL-2628 VK Delft (NL).
- (72) Inventor; and
- (75) Inventor/Applicant (for US only): **BERKHOFF, Arthur, Perry** [NL/NL]; Bastinglaan 133, NL-7006 EY Doetinchem (NL).
- (74) Agent: **WINCKELS, J., H., F.**; Johan de Wittlaan 7, NL-2517 JR Den Haag (NL).
- (81) Designated States (unless otherwise indicated, for every kind of national protection available): AE, AG, AL, AM, AT, AU, AZ, BA, BB, BG, BR, BW, BY, BZ, CA, CH, CN, CO, CR, CU, CZ, DE, DK, DM, DZ, EC, EE, EG, ES, FI, GB, GD, GE, GH, GM, HR, HU, ID, IL, IN, IS, JP, KE, KG, KP, KR, KZ, LC, LK, LR, LS, LT, LU, LV, MA, MD, MG, MK, MN, MW, MX, MZ, NA, NI, NO, NZ, OM, PG, PH, PL, PT, RO, RU, SC, SD, SE, SG, SK, SL, SM, SY, TJ, TM, TN, TR, TT, TZ, UA, UG, US, UZ, VC, VN, YU, ZA, ZM, ZW.
- (84) Designated States (unless otherwise indicated, for every kind of regional protection available): ARIPO (BW, GH, GM, KE, LS, MW, MZ, NA, SD, SL, SZ, TZ, UG, ZM, ZW), Eurasian (AM, AZ, BY, KG, KZ, MD, RU, TJ, TM), European (AT, BE, BG, CH, CY, CZ, DE, DK, EE, ES, FI, FR, GB, GR, HU, IE, IS, IT, LT, LU, MC, NL, PL, PT, RO, SE, SI, SK, TR), OAPI (BF, BJ, CF, CG, CI, CM, GA, GN, GQ, GW, ML, MR, NE, SN, TD, TG).

Published:
— with international search report

[Continued on next page]

(54) Title: SYSTEM FOR ACTIVELY REDUCING SOUND



(57) Abstract: A system for actively reducing sound from a primary noise source, such as traffic noise, comprising: a loudspeaker connector for connecting to at least one loudspeaker for generating anti-sound for reducing said noisy sound; a microphone connector for connecting to at least a first microphone placed adjacent to said loudspeaker; a control unit coupled to said first microphone connector, for providing an error signal, based on the output of said first microphone; and a control unit for outputting a signal to said loudspeaker connector, for controlling said loudspeaker based on said error signal of said control unit; control unit. According to the invention, said control unit is provided with a processor adapted to provide said error signal as a simulated error signal of a virtual microphone placed in the far-field of the loudspeaker. In this way a better noise suppression in the far-field can be achieved.

WO 2005/096269 A1



For two-letter codes and other abbreviations, refer to the "Guidance Notes on Codes and Abbreviations" appearing at the beginning of each regular issue of the PCT Gazette.

Title: System for actively reducing sound

The invention relates to a system for actively reducing sound from a primary noise source, such as traffic noise, comprising: a loudspeaker connector for connecting to at least one loudspeaker for generating anti-sound for reducing said noisy sound;

5 a microphone connector for connecting to at least a first microphone placed adjacent to said loudspeaker;

a control unit coupled to said first microphone connector, for providing an error signal, based on the output of said first microphone; and

10 a control unit for outputting a signal to said loudspeaker connector, for controlling said loudspeaker based on said error signal of said control unit.

Recently, such systems have been considered as active noise barriers for reduction of traffic noise. The goal of the active noise barriers is to reduce the noise on positions distant from the noise barrier, such as on the facades of houses. Microphones at these positions can be used in order to create error
15 signals to be minimized by the controller. A problem with this is the vulnerability of connections and microphones and a therefore expected short economic life. In another configuration, microphones were placed directly near the active noise barrier. This leads to obvious advantages due to the absence of sensors at inconvenient positions. This can lead to a possibly more robust
20 system with respect to fluctuations of the wind. However, it has been found that the minimization of sound near the loudspeakers is not always appropriate for reducing the sound pressure at more distant locations.

The invention has as one of its goals to provide a system that at the one time offers a compact and robust way of implementing a noise barrier but
25 where the hereabove described disadvantages are mitigated.

This is achieved by providing a system according to the features of claim 1.

In particular, according to the invention, a simulated error signal of a virtual microphone is a result of a combination of a first transfer function expressing the far field character of the primary source near said first microphone and a second transfer function expressing the near field character of the secondary source near said first microphone.

Conveniently, it has been found that by deriving a simulated error signal of a virtual microphone placed in the far-field of the loudspeaker, the noise suppression is much more successful than conventional active noise barriers and offers reductions even up to 10 dB or more compared to a sound reduction of a conventional system with adjacently placed microphones. Since the primary and secondary sources may have a very different nature they may lead to rather different requirements for a transfer function. One big difference, for example, is that the nearfield sensors are located rather far away from the primary sources while the nearfield sensors are, by definition, in the nearfield of the secondary sources.

The loudspeaker may be arranged to produce anti-sound in a direction away from said primary noise source. Further, said microphone is preferably placed adjacent in front of said loudspeaker.

In a still further preferred embodiment, a second microphone may be placed between said loudspeaker and said primary source. Said second microphone may be arranged to provide a second error signal that is used as a feed forward error signal in order to achieve an expected sound pressure level of the primary source near said loudspeaker.

Said at least one loudspeaker and said at least first microphone may be part of an array of loudspeakers and an array of microphones respectively, wherein loudspeakers and said microphones are placed at a distance less than 5 times an interspacing between two adjacent loudspeakers. Such an array may serve as an active noise barrier on the side of a road etc. Still more preferably, said at least one loudspeaker and said at least one microphone are part of an array of loudspeakers and an array of microphones respectively,

wherein said loudspeakers and said microphones are placed relative to each other in a range between 10% and 100% of an interspacing between two adjacent loudspeakers. It has been found that a position of said microphone at such a general "close" distance of the loudspeaker, is still able to derive a sufficient error signal in order to be able to calculate a far field sound pressure.

As a practical embodiment, preferably, said microphone is formed integral with said loudspeaker in a panel to be placed on the side of a road. To this end, the invention is also related to a panel for a noise screen to be placed on the side of the road, for actively reducing noise from a primary source, comprising: a loudspeaker to be directed away from the primary source a microphone attached to said panel and placed on a distance away from said panel; and a system according to any of the preceding aspects.

Furthermore, said panel may further comprise a second microphone placed opposite to said first microphone, viewed in a direction away from said panel. Furthermore, said loudspeaker is placed on top of said panel. In this way the influence of wind is more or less the same for the primary sources and the secondary sources. This can lead to a more robust system with respect to fluctuations of the wind.

In another aspect, the invention relates to providing a system according to any of the preceding aspects, further comprising an input for inputting data representing environmental conditions such as wind speed and/or temperature, said processor arranged to provide a transfer function that is dynamically adapted to said environmental conditions.

In another aspect, the invention is related to a method as described in claim 12 and 13.

The invention will be further clarified with reference to the figures. In the figures:

Figure 1 shows a basic configuration according to an embodiment of the invention;

Figure 2, 3 and 4 show prior art system diagrams wherein noise control is actively used;

Figure 5 is a schematic system diagram of the system according to the invention;

5 Figure 6 shows a sectional diagram of Figure 5 explaining the invention in more detail;

Figure 7 shows a configuration of an active noise control system for reduction of noise at the position of the farfield sensors by using information derived from nearfield error sensors showing the region for identification
10 related to the primary noise sources;

Figure 8 shows a comparison of a primary farfield signal with an estimate obtained from the nearfield sensor signals;

Figure 9 shows a comparison of a secondary transfer function to the farfield with an estimate obtained from the nearfield sensor signals;

15 Figure 10 shows a reduction of the broadband sound pressure for three independent broadband primary noise sources at $z = -4$ m; the error signal equals the nearfield pressure;

Figure 11 shows a reduction as in; the error signal equals a measured farfield pressure;

20 Figure 12 shows a reduction as in Figure 10; the error signal equals a virtual farfield pressure.

In the description, like or corresponding elements in will be referenced with the same reference numerals.

25

A proposed configuration of the system according to the invention can be found in Figure 1 for an active noise barrier 6, for instance, for blocking primary traffic noise of passing vehicles 1. In this figure reference sensors 2 (microphones) are present near secondary sources 3 (loudspeakers), and

nearfield error sensors 4 (microphones). In an initial calibration phase also farfield error sensors 5 (microphones) can be used. One section (n) of the active noise barrier 6 is considered. In order to assess the stability and performance of the active noise barrier 6, including the interactions between different subsystems(n-1, n+1), also the sensors and sources of adjacent sections should be taken into account.

One of the aspects of the system is that virtual error signals are derived from the nearfield error sensors. These virtual error signals should represent the degrees of freedom in the farfield of the angular sector of interest. In the configuration, we distinguish the following components: the primary disturbance d , reference signals x , actuator control signals u , nearfield error signals e_y , and farfield error signals e_z such that

$$\begin{bmatrix} x \\ e_y \\ e_z \end{bmatrix} = \begin{bmatrix} G_{dx} & G_{ux} \\ G_{dy} & G_{uy} \\ G_{dz} & G_{uz} \end{bmatrix} \begin{bmatrix} d \\ u \end{bmatrix} \quad (1)$$

15

The action of the control operator W is described by

$$u = W x \quad (2)$$

20

Lower case variables denote vectorial quantities that are a function of time, whereas upper case variables denote matrices that operate on the time-dependent vectors. The assumption is that G_{ux} is compensated in the controller, leading to a control structure based on Internal Model Control. Furthermore, aspects related to decentralization are not taken into account yet but will be discussed in the remainder.

25

For purposes of comparison, some existing systems will be described with reference to the Figure 2-Figure 4. Figure 2 shows a system using a

single transfer function H_{yz} . Such systems are used for actively controlling noise from panels. However, the performance for the present application is insufficient, as can be demonstrated in simulations. Figure 3 shows a system where the basic strategy is to minimize the nearfield pressure, using a feedforward controller, as in Figure 2. Figure 4 shows a system in which the nearfield pressure is directly fed back to the controller, where the basic strategy is also to minimize the nearfield pressure. The latter configuration has been tested by Japanese researchers. In the present application, reduction of the nearfield pressure is very different from minimizing the farfield pressure. The simulations described below will show that the configuration of Figure 5 performs substantially better than the configurations of Figure 2- Figure 4.

Turning to Figure 5, in a first approach for the reduction of farfield sound pressure the sound pressure is reduced near the noise barrier. This is the approach that is used in, for example, a Japanese active noise barrier as illustrated in Figure 4. A disadvantage of this system is that a reduction of the nearfield pressure not necessarily leads to a reduction of the farfield pressure. This holds for both feedback configurations and for feedforward configurations. According to the invention, an improved technique is based on the estimation of the farfield error signals e_z (which are assumed to be unavailable when the system is operational) from the nearfield error signals e_y .

In a first approach a transfer function H_{yz} is designed which makes a real-time estimate of e_z from measured data e_y . However, it was found that the maximum performance with such a transfer function is limited by the fact that we are dealing with two sets of sources, the primary sources and the secondary sources. These two sets of sources may have a very different nature and may lead to rather different requirements for the transfer function H_{yz} . One big difference, for example, is that the nearfield sensors are located rather far away from the primary sources while the nearfield sensors are, by

definition, in the nearfield of the secondary sources. So, although a single transfer function H_{yz} may have acceptable performance in some systems, such as active panels, the performance for active noise barriers can be improved further.

5 In Figure 5 and Figure 6 is illustrated, that, for further improving the noise control in the far field, a new strategy was devised in which the primary sources and the secondary sources were treated separately. This estimation proceeds as follows. The actual contributions on e_y and e_z consist of a part due to the primary signal and a part due to the secondary signal. As the
10 transfer functions from the primary source and secondary source to both e_y and e_z are quite different, these contributions are taken into account separately. Therefore, we define G_{dy} as the transfer function between primary source and nearfield error sensor, G_{dz} as the transfer function between
15 primary source and farfield error sensor, G_{uy} as the transfer function between secondary source and nearfield error sensor, and G_{uz} as the transfer function between secondary source and farfield error sensor. The farfield signal e_z can be expressed as

$$e_z = d_z + s_z \quad (3)$$

20 in which the primary signal d_z is given by

$$d_z = G_{dz} d \quad (4)$$

and the secondary signal s_z is given by

25

$$s_z = G_{uz} u \quad (5)$$

The estimate \hat{d}_z of the signal d_z is derived from an estimate \hat{d}_y of the primary nearfield error signals as follows

$$d^{\wedge}z = H_{yz}\{d\} d^{\wedge}y \quad (6)$$

where $H_{yz}\{d\}$ is obtained from system identification. The estimate $d^{\wedge}y$ is obtained by subtracting the secondary signal from the measured signal e_y :

5

$$d^{\wedge}y = e_y - s^{\wedge}y \quad (7)$$

where $s^{\wedge}y$ is an estimate of the secondary signal on the nearfield error sensors, which is given by

10

$$s^{\wedge}y = G^{\wedge}_{uy} u \quad (8)$$

An estimate of the contribution of the secondary sources on the farfield sensors is given by

15

$$s^{\wedge}z = H_{yz}\{s\} s^{\wedge}y \quad (9)$$

where $H_{yz}\{s\}$ is also obtained from system identification. Finally, the estimate $e^{\wedge}z$ of the farfield sensor can be obtained from the summation of the estimates of the primary sources and secondary sources:

20

$$e^{\wedge}z = d_z + s_z \quad (10)$$

The estimate $e^{\wedge}z$ can be written as

25

$$\begin{aligned} e^{\wedge}z &= H_{yz}\{d\} d^{\wedge}y + H_{yz}\{s\} s^{\wedge}y \\ &= H_{yz}\{d\} e_y + (H_{yz}\{s\} - H_{yz}\{d\})G^{\wedge}_{uy} u \end{aligned} \quad (11)$$

A block diagram of the above procedure is given in Figure 6. The nearfield error signal is given by

30

$$e_y = d_y + s_y \quad (12)$$

Therefore, using

5

$$d_y = G_{dy} d \quad (13)$$

and

10

$$s_y = G_{uy} u \quad (14)$$

the estimate \hat{z} can be written as

15

$$\hat{z} = H_{yz}\{d\} (G_{dy} d + G_{uy} u) + (H_{yz}\{s\} - H_{yz}\{d\})G_{uy} u \quad (15)$$

In case of perfect modeling we have $G_{uy} = G_{uy}$. Then the above expression reduces to

20

$$\hat{z} = H_{yz}\{d\} G_{dy} d + H_{yz}\{s\} G_{uy} u \quad (16)$$

If the secondary sources are close to the diffraction sources and if they radiate in a similar way then we have $H_{yz}\{d\} = H_{yz}\{s\} = H_{yz}$, leading to

25

$$\hat{z} = H_{yz} (G_{dy} \{d\} + G_{uy} \{u\}) = H_{yz} e_y \quad (17)$$

Stability robustness and performance robustness are governed by the sensitivity of the control system to changes in the secondary path. The propagation distances involved in the secondary path are considerably reduced
30 if nearfield sensors are used instead of the farfield sensors. Therefore, it is

expected that the reduced change of the propagation path will have a positive effect on the stability robustness of the system. Furthermore, if the primary sources are effectively diffraction sources on top of a noise barrier and if the secondary sources are close to these diffraction sources then we obtain a system in which a large part of the possibly varying transmission path is common to both the primary signals and the secondary signals. This results in an expected improved performance robustness with respect to changes in wind, temperature, etc.

Eq. (17) suggests that minimizing e_y would be sufficient to reduce e^z . This only holds if the primary sources exactly coincide with the secondary sources. In practical situations it is very difficult to exactly realize the condition $H_{yz}\{d\} = H_{yz}\{s\} = H_{yz}$. Differences are caused by, for example, the distributed nature of the primary (diffraction) sources while the secondary sources are concentrated sources. These different behaviors are especially seen on the nearfield sensors. Also the exact position of the primary sources may be difficult to determine. Therefore, for a practical implementation a more general approach is required, such as based on the scheme of Figure 6 where the estimation of the primary path and the estimation of the secondary path are treated separately. For the estimation of the primary transfer functions we define a region Ω with identification sources S as shown in Figure 7.

Furthermore, only those (and precisely those) nearfield pressure distributions should be controlled that contribute to the farfield, as governed by the transfer functions H_{yz} . If e_y is minimized directly then usually only sound pressure reductions in the nearfield are obtained. An additional reduction of the order of H_{yz} can lead to systems that are potentially more robust, have less spillover and require less actuator effort.

In order to be able to compute the virtual error signals an initial calibration phase is assumed in which sources are placed at random positions in the region where the primary noise sources are to be expected. The estimate of the primary signal on one of the farfield sensors is shown in Figure 8. The

estimate of one of the secondary source transfer functions to the farfield as estimated from the secondary transfer functions to the nearfield sensors is shown in Figure 9. In an example 50 calibration sources have been used, which are indicated as green asterixes in Figure 12. Three independent primary sources are used, also shown in Figure 12. The identification procedure is based on the solution of the equations resulting from an assumed multi-input, multi-output Finite Impulse Response model leading to a block-Toeplitz structure. In order to improve the stability of the solution, the mean-square value of the coefficients of the FIR-model are weighted with a normalized coefficient weighting factor $\beta = 10^{-2}$ as compared to the mean-square prediction error of the farfield pressure. This value of β was obtained by reducing the value of β until the prediction error for primary signal validation data did not reduce anymore. The latter prediction error was obtained with validation data from an independent set of primary sources at random positions in the same region as for the solution of the system of equations.

Although the transfer functions $H_{yz}\{d\}$ and $H_{yz}\{s\}$ relate the signals from identical nearfield sensors and identical farfield sensors, they should be obtained from separate calibration procedures, as mentioned previously. The necessity of this is demonstrated in Table 1, which gives the estimation results on farfield sensor for different combinations of calibration sources and the two transfer functions $H_{yz}\{d\}$ and $H_{yz}\{s\}$. The configuration is identical to that in Fig. 12. It can be seen that the estimator $H_{yz}\{d\}$ only gives accurate results if the calibration sources are placed in the same region as where the primary sources are to be expected. The same holds for $H_{yz}\{s\}$, which is only accurate if the calibration sources are taken to be the secondary sources.

calibration sources	$H_{yz}\{d\}$ estimation error[dB]	$H_{yz}\{s\}$ estimation error[dB]
sources in primary	-14.6	10.5

source region		
secondary sources	-2.6	-36.3

[Table 1]

In one embodiment, the system can be adapted to conditions such as wind speed and/or temperature. To this end the transfer function is dynamically adapted to said environmental conditions. The objective is to make modifications to the $J \times I$ dimensional matrix transfer functions $H_{yz}^d(t)$ and $H_{yz}^s(t)$ using measurements of the wind speed vector \mathbf{U} such that these functions more accurately predict farfield sound pressure from measured near field sound pressure. A single effective wind speed vector is assumed for the whole region of interest. The wind speed vector \mathbf{U} is transformed to a matrix of temporal interpolation functions $\tau_{ij}(t)$ having the dimension time, which are a function of the argument time t , which also has the dimension time; the index $i = 1, \dots, I$ denotes a near field sensor and the index $j = 1, \dots, J$ denotes a farfield sensor. This interpolations functions have the effect of modifying the sound of speed due to wind speed.

The transformation can be derived from measurements at various wind speed magnitudes and directions but also from a physical model. In addition, an $I \times I$ dimensional static transfer function matrix V is defined. This matrix represents a dependance of windspeed and direction. The modified transfer function matrix $H_{yz}^d(t)$ for the primary field is obtained by the operation

$$H_{yz}^d(t) = [H_{yz_j}^d(\tau_{ij}(t))]V,$$

where the square brackets are used to denote that the j -th row and i -th column of the resulting $J \times I$ dimensional matrix are the transfer functions $H_{yz_j}^d(\tau_{ij}(t))$. Similarly, the modified transfer function matrix $H_{yz}^s(t)$ for the secondary field is obtained by the operation

$$H_{yz}^s(t) = [H_{y;z_j}^s(e_{ij}(t))]V.$$

The example of Figure 10 is an active noise barrier in which the error signal equals the pressure as measured on microphones near the secondary sources. In the present case this distance, i.e. the difference between the z -coordinate of the 5 secondary sources and z -coordinate of the 5 error sensors is 0.5 m. In addition, 5 reference sensors are used, which are positioned, as seen from the secondary sources, 1 m towards the primary sources. The primary noise sources are three independent broadband noise sources which are positioned at a distance of 4.5 m from the secondary sources. The position of the passive noise barrier could be at $z=0$ but for reasons of simplicity there is no such noise barrier. The sound pressure in the farfield is evaluated with 5 microphones at $z = 20$ m. The distance between these microphones is 1.5 m. The sampling frequency is $f_s = 1$ kHz, the number of controller coefficients equals 128, the distance between the secondary sources is 0.3 m, as are the distances between the reference sensors and the error sensors. All transducers and sources are at a height $y = 2$ m. Figure 10 shows the configuration and the resulting sound pressure in the x,z -plane. It can be seen that sound pressure reductions are mainly obtained near the error sensors. The reduction at the error sensors is 24.2 dB but the reduction in the farfield is much less, being 1.9 dB.

If the error sensors are moved to the farfield, viz. to the positions of the evaluation microphones, then the reductions in the farfield become much higher. The average reduction of the error signal and consequently the reduction at the evaluation microphones now becomes 11.3 dB. The results are shown in Figure 11.

Figure 12 shows the results in case the error signal equals virtual farfield signals, using the same microphone positions as in Figure 10. The virtual sensor signals are obtained by processing the nearfield error signals e_y with a fixed operator which is determined in a calibration phase. The sources

as used in this calibration phase are positioned in the region where the primary noise sources are to be expected (see Figure 12). It can be seen that the resulting farfield sound pressure reductions are slightly less than in Figure 11, being 9.0 dB. However, the farfield sound pressure reductions are considerably higher than obtained with the nearfield error sensors as used in Figure 10. The reduction of the error signals is approximately equal in case of minimizing the virtual error signals, being 11.6 dB, and in case of minimizing the true farfield error signals (11.3 dB). The numerical results for the three cases are collected in Table 2.

10

Error signal	error signal av. reduction [dB]	farfield pressure av. reduction [dB]
Figure 10	24.2	1.9
Figure 11	11.3	11.3
Figure 12	11.6	9.0

[Table 2]

Robustness of the controllers was evaluated for the following cases: for a different order of the controller, for a new set of primary sources in the same region as for the nominal case, for a change of the primary spectrum as compared to the nominal case, and for a moving source. It was found that a reduction of the number of controller coefficients leads to less reduction for the nominal case but also to less performance degradation for changing primary source distributions. Similar trends were found for the case of 32 controller coefficients. Hence, as compared to the controllers with 128 coefficients, the performance of the systems with 32 and 64 coefficients is less dependent on the actual primary source distribution and is therefore more stable and predictable. The influence of a simultaneous change of the positions of the primary sources and a changing primary spectrum was investigated using a

15

20

modified primary spectrum that was obtained by applying a fourth-order bandpass filter with Butterworth characteristic with lower and upper cutoff frequencies of $0.15 f_s$ and $0.35 f_s$, respectively, to the primary source signals. With the modified primary source positions and spectrum, a slight
5 improvement was found of the performance on the farfield evaluation microphones from 10.6 dB to 11.4 dB. Furthermore, the performance for a moving source was investigated. The radiation characteristics of the moving sources were simulated by taking into account the doppler shift as well as the changing radiation characteristics depending on the direction of the
10 movement. Also, simulations were performed in order to study the performance variations for a change in the height of the primary sources. The invention is not limited to the hereabove described embodiments but may comprise variations and modifications thereto while falling under the scope of the annexed claims.

Claims

1. A system for actively reducing sound from a primary noise source, such as traffic noise, comprising:
 - a loudspeaker connector for connecting to at least one loudspeaker for generating anti-sound for reducing said noisy sound;
 - 5 – a microphone connector for connecting to at least a first microphone placed adjacent to said loudspeaker;
 - a control unit coupled to said first microphone connector, for providing an error signal, based on the output of said first microphone; and
 - a control unit for outputting a signal to said loudspeaker connector, for
10 controlling said loudspeaker based on said error signal of said control unit;
wherein said control unit is provided with a processor adapted to provide said error signal as a simulated error signal of a virtual microphone placed in the far-field of the loudspeaker.
characterized in that said simulated error signal of said virtual microphone is
15 a result of a combination of a first transfer function expressing the far field character of the primary source near said first microphone and a second transfer function expressing the near field character of the secondary source near said first microphone.
2. A system according to claim 1, wherein said loudspeaker is arranged to
20 produce anti-sound in a direction away from said primary noise source.
3. A system according to claim 1, wherein said microphone is placed adjacent in front of said loudspeaker.
4. A system according to any of the preceding claims, wherein a second microphone is placed between said loudspeaker and said primary source.

5. A system according to claim 4, wherein said second microphone is arranged to provide a reference signal that is used as a feed forward signal in order to achieve an expected sound pressure level of the primary source near first microphone.
- 5 6. A system according to claim 1, wherein said at least one loudspeaker and said at least first microphone are part of an array of loudspeakers and an array of microphones respectively, wherein loudspeakers and said microphones are placed at a distance less than 5 times an interspacing between two adjacent loudspeakers.
- 10 7. A system according to claim 1, wherein said at least one loudspeaker and said at least one microphone are part of an array of loudspeakers and an array of microphones respectively, wherein said loudspeakers and said microphones are placed relative to each other in a range between 10% and 100% of an interspacing between two adjacent loudspeakers.
- 15 8. A system according to claim 1, wherein said microphone is formed integral with said loudspeaker in a panel to be placed on the side of a road.
9. A system according to any of the preceding claims, further comprising an input for inputting data representing environmental conditions such as wind speed and/or temperature, said processor arranged to provide a transfer
20 function that is dynamically adapted to said environmental conditions.
10. A panel for a noise screen to be placed on the side of the road, for actively reducing noise from a primary source, comprising:
- a loudspeaker to be directed away from the primary source
 - a microphone attached to said panel and placed on a distance away from
25 said panel; and
 - a system according to any of the claims 1-9.

11. A panel according to claim 9 further comprising a second microphone placed opposite to said first microphone, viewed in a direction away from said panel.
12. A panel according to claims 9-11 wherein said loudspeaker is placed on
5 top of said panel.
13. A method of calibrating a system according to any of the claims 1-8 comprising:
- placing a panel according to claim 9 near the side of the road;
 - placing a far field microphone at a distance away from said panel and
10 said road;
 - measuring an error signal derived from a first microphone placed adjacent to said loudspeaker;
 - measuring a reference signal derived from the far field microphone;
 - calibrating said system by a comparison between said error signal and
15 said reference signal.
14. A method for actively reducing sound from a primary noise source, such as traffic noise, comprising:
- deriving an error signal, based on the output of a first microphone placed adjacent to a loudspeaker; and
20 – outputting a driving signal to said loudspeaker based on said error signal for generating anti-sound for reducing said noisy sound;
 - wherein said error signal is a simulated error signal of a virtual microphone placed in the far-field of the loudspeaker and wherein said simulated error signal of said virtual microphone is obtained by combining a
25 first transfer function expressing the far field character of the primary source near said first microphone and a second transfer function expressing the near field character of the secondary source near said first microphone.

15. A method according to claim 14, further comprising receiving data representing environmental conditions such as wind speed and/or temperature, and providing a transfer function that is dynamically adapted to said environmental conditions.

Figure 1

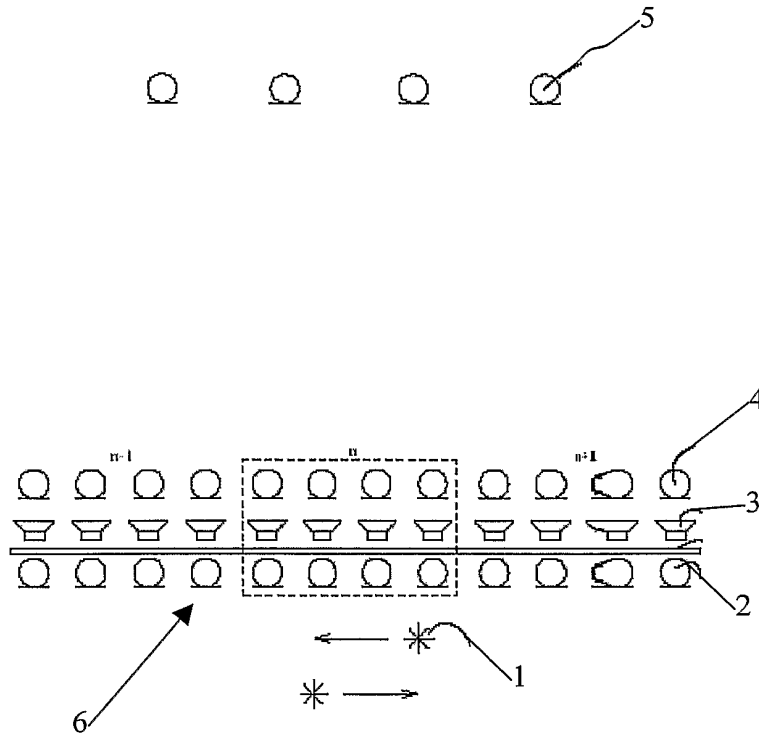


Figure 2

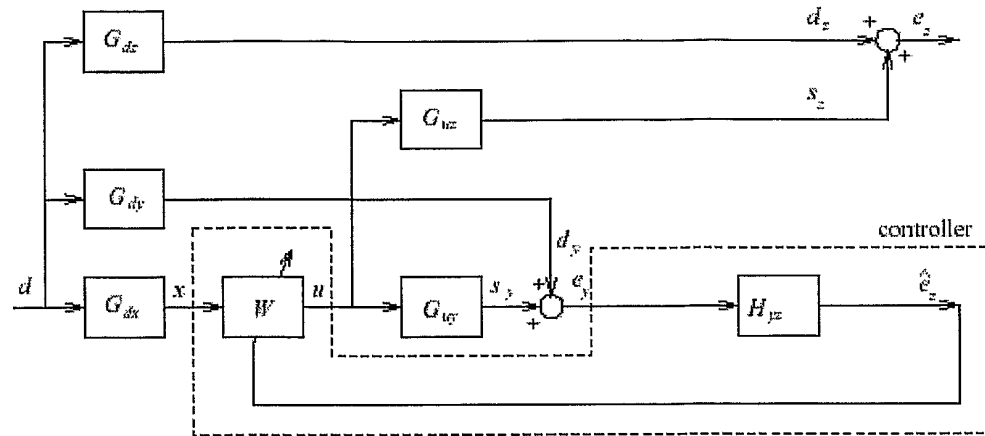


Figure 3

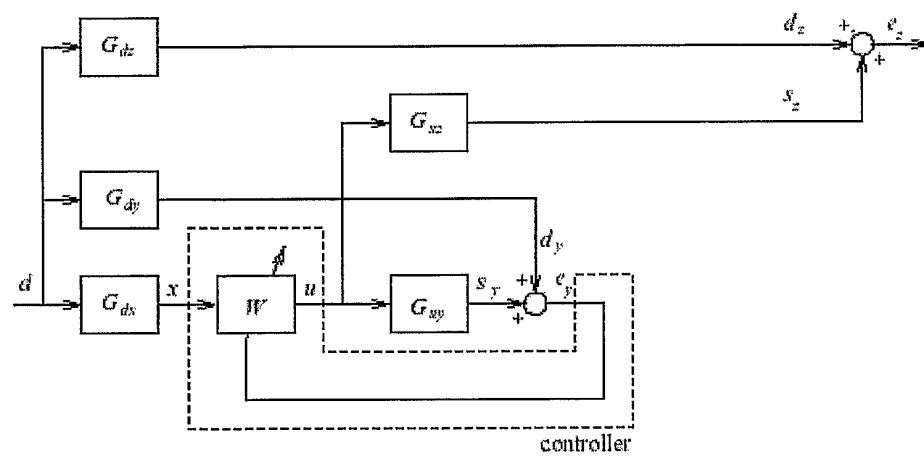


Figure 4

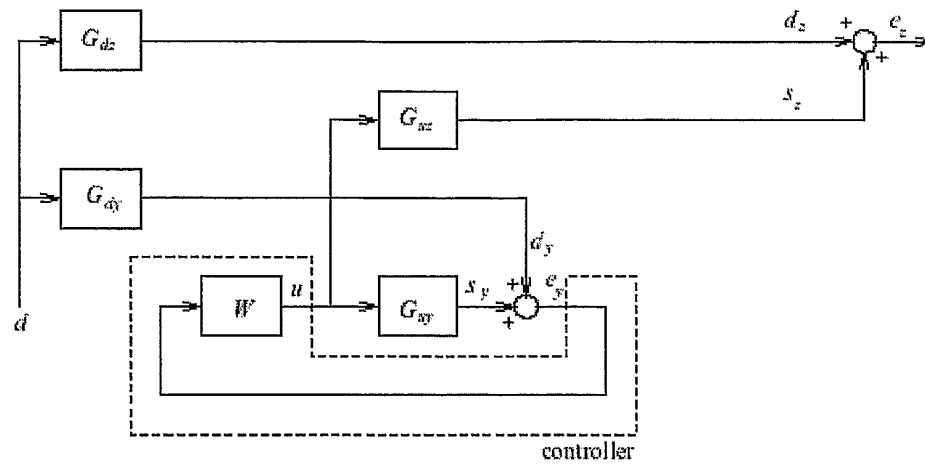


Figure 5

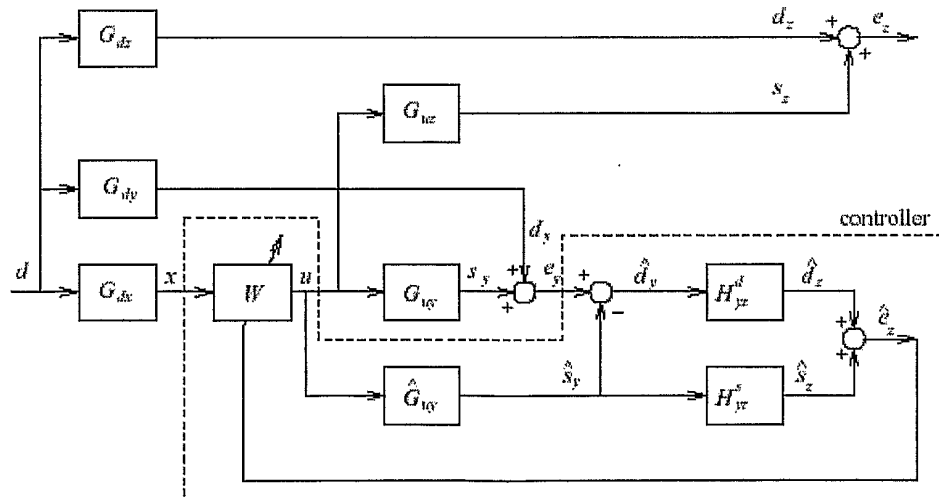


Figure 6

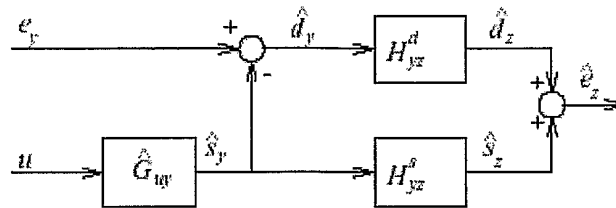


Figure 7

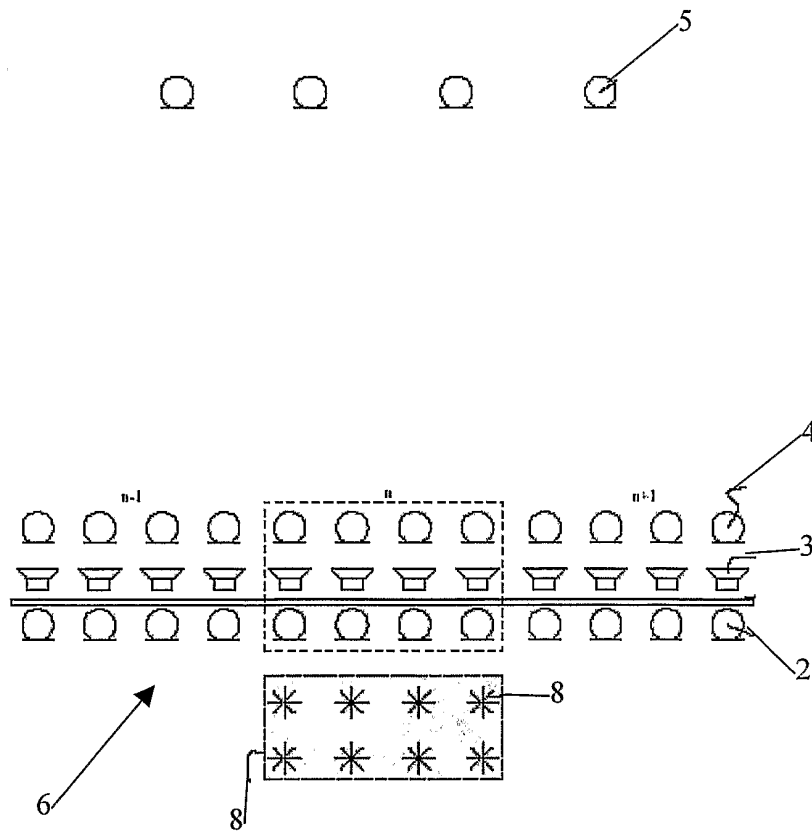


Figure 8

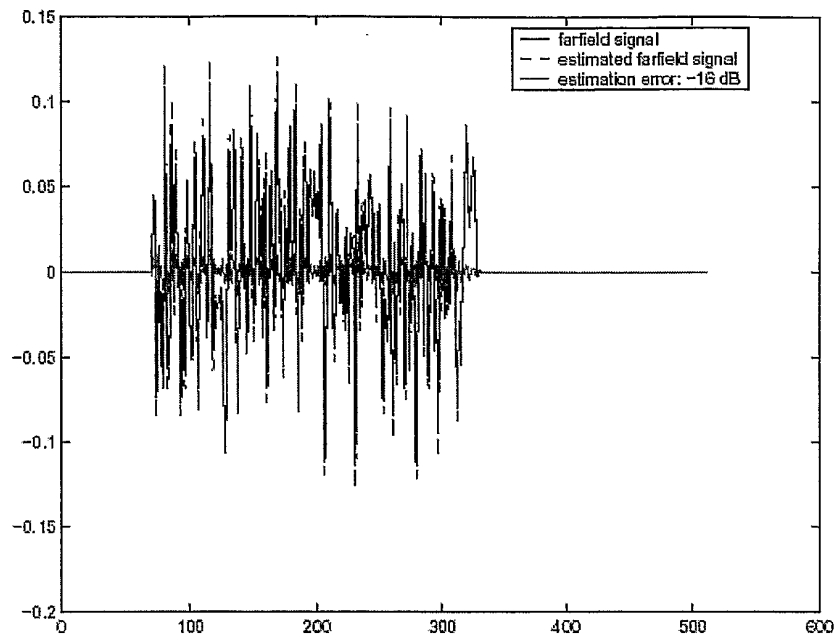


Figure 9

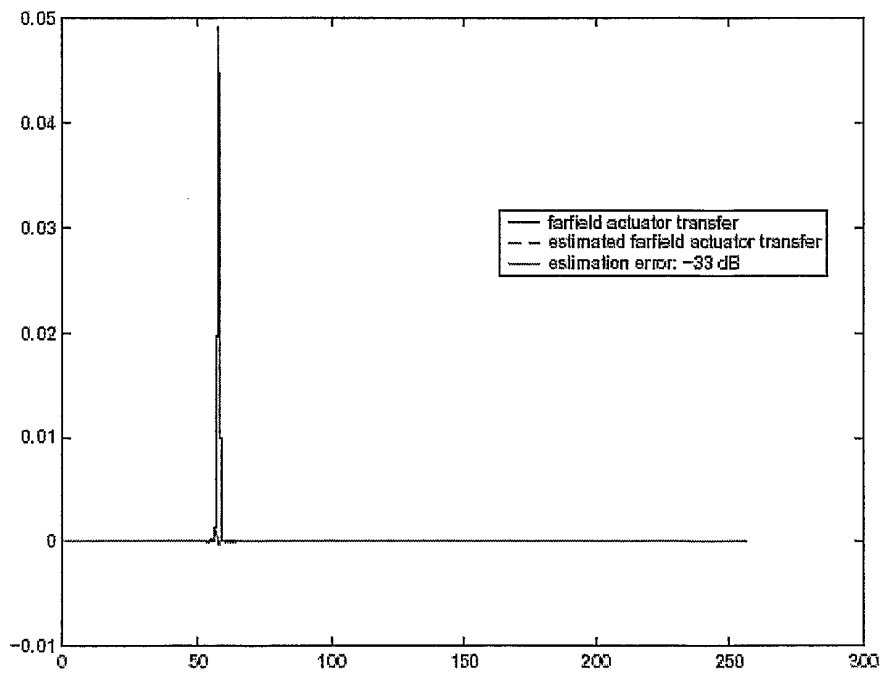


Figure 10

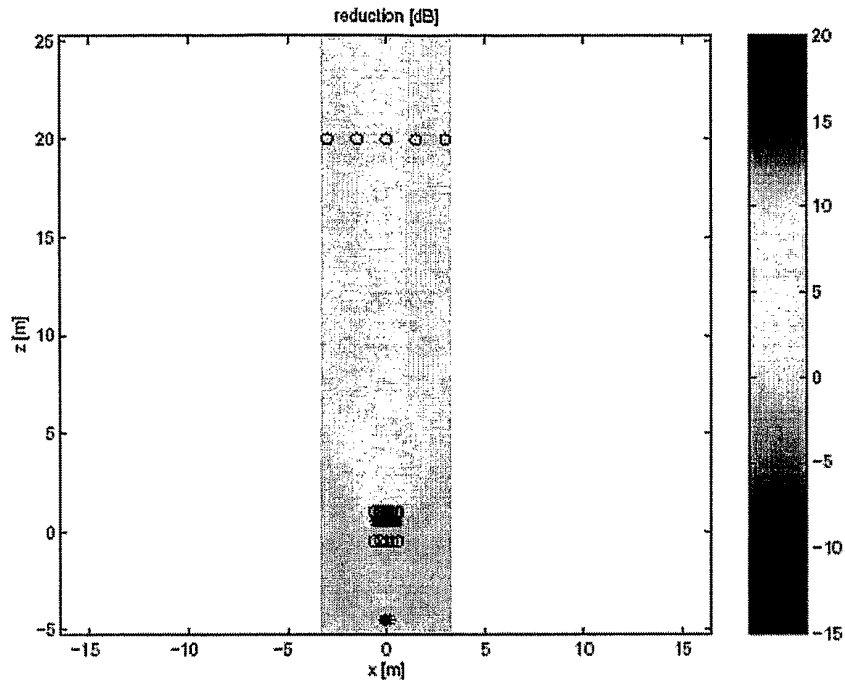


Figure 11

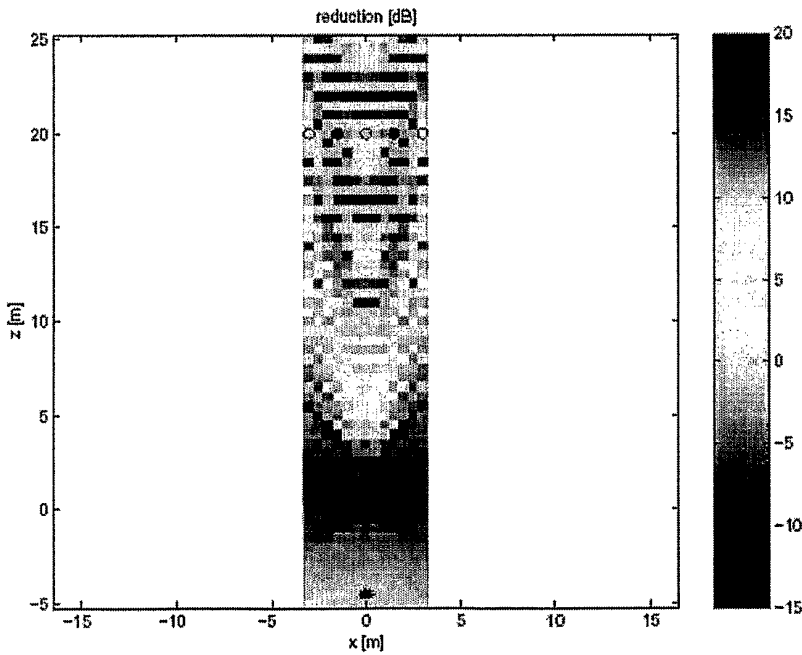
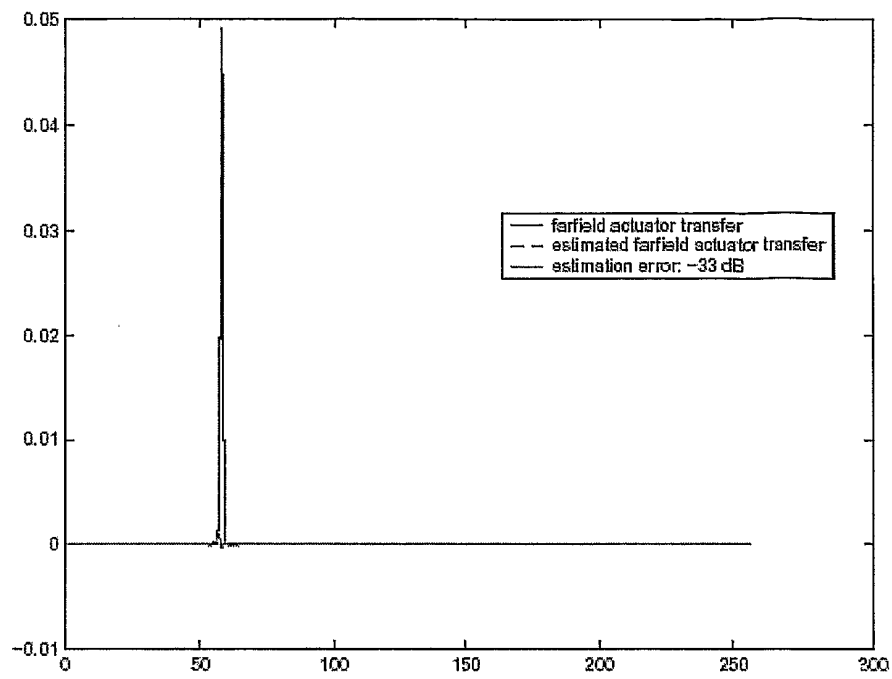


Figure 12



INTERNATIONAL SEARCH REPORT

Application No
PCT/NL2005/000234

A. CLASSIFICATION OF SUBJECT MATTER IPC 7 G10K11/178		
According to International Patent Classification (IPC) or to both national classification and IPC		
B. FIELDS SEARCHED Minimum documentation searched (classification system followed by classification symbols) IPC 7 G10K		
Documentation searched other than minimum documentation to the extent that such documents are included in the fields searched		
Electronic data base consulted during the international search (name of data base and, where practical, search terms used) EPO-Internal		
C. DOCUMENTS CONSIDERED TO BE RELEVANT		
Category °	Citation of document, with indication, where appropriate, of the relevant passages	Relevant to claim No.
X	GARCIA-BONITO J ET AL: "GENERATION OF ZONES OF QUIET USING A VIRTUAL MICROPHONE ARRANGEMENT" JOURNAL OF THE ACOUSTICAL SOCIETY OF AMERICA, AMERICAN INSTITUTE OF PHYSICS. NEW YORK, US, vol. 101, no. 6, 1 June 1997 (1997-06-01), pages 3498-3516, XP000696885 ISSN: 0001-4966	1-4, 13-15
Y	the whole document	1-6, 9-15
Y	US 5 519 637 A (MATHUR GOPAL) 21 May 1996 (1996-05-21) abstract column 2, line 66 - column 9, line 43 figures 1-11	1-4, 13-15
<input checked="" type="checkbox"/> Further documents are listed in the continuation of box C. <input checked="" type="checkbox"/> Patent family members are listed in annex.		
° Special categories of cited documents :		
A document defining the general state of the art which is not considered to be of particular relevance *E* earlier document but published on or after the international filing date *L* document which may throw doubts on priority claim(s) or which is cited to establish the publication date of another citation or other special reason (as specified) *O* document referring to an oral disclosure, use, exhibition or other means *P* document published prior to the international filing date but later than the priority date claimed *T* later document published after the international filing date or priority date and not in conflict with the application but cited to understand the principle or theory underlying the invention *X* document of particular relevance; the claimed invention cannot be considered novel or cannot be considered to involve an inventive step when the document is taken alone *Y* document of particular relevance; the claimed invention cannot be considered to involve an inventive step when the document is combined with one or more other such documents, such combination being obvious to a person skilled in the art. *&* document member of the same patent family		
Date of the actual completion of the international search 19 May 2005		Date of mailing of the international search report 25/05/2005
Name and mailing address of the ISA European Patent Office, P.B. 5818 Patentlaan 2 NL - 2280 HV Rijswijk Tel. (+31-70) 340-2040, Tx. 31 651 epo nl, Fax: (+31-70) 340-3016		Authorized officer Modesto, C

INTERNATIONAL SEARCH REPORT

Application No
PCT/NL2005/000234

C.(Continuation) DOCUMENTS CONSIDERED TO BE RELEVANT

Category °	Citation of document, with indication, where appropriate, of the relevant passages	Relevant to claim No.
Y	EP 0 759 606 A (DIGISONIX INC) 26 February 1997 (1997-02-26) column 2, lines 33-43 column 5, line 19 - column 7, line 3 figures 1-21 -----	5,6
Y	US 2003/002687 A1 (KIESLINGER MICHAEL ET AL) 2 January 2003 (2003-01-02) page 3, paragraph 53-56 figures 1,4 -----	9-12
A	US 5 315 661 A (EATWELL GRAHAM ET AL) 24 May 1994 (1994-05-24) the whole document -----	1-15
A	US 5 917 919 A (ROSENTHAL FELIX) 29 June 1999 (1999-06-29) column 5, line 29 - column 13, line 53 figures 1-5 -----	1-15

INTERNATIONAL SEARCH REPORT

Application No

PCT/NL2005/000234

Patent document cited in search report		Publication date	Patent family member(s)	Publication date
US 5519637	A	21-05-1996	NONE	
EP 0759606	A	26-02-1997	US 5715320 A CA 2183669 A1 DE 69626902 D1 DE 69626902 T2 EP 0759606 A2	03-02-1998 22-02-1997 30-04-2003 21-08-2003 26-02-1997
US 2003002687	A1	02-01-2003	AU 770088 B2 AU 5690100 A BR 0015585 A CA 2388179 A1 CN 1390346 A DE 10085355 T0 EP 1230637 A1 WO 0137256 A1 GB 2370940 A ,B JP .. 2003514265 T	12-02-2004 30-05-2001 09-07-2002 25-05-2001 08-01-2003 15-05-2003 14-08-2002 25-05-2001 10-07-2002 15-04-2003
US 5315661	A	24-05-1994	AT 194040 T CA 2142013 A1 DE 69231190 D1 DE 69231190 T2 EP 0657058 A1 JP 8500193 T WO 9405005 A1	15-07-2000 03-03-1994 27-07-2000 22-03-2001 14-06-1995 09-01-1996 03-03-1994
US 5917919	A	29-06-1999	NONE	