

(19) World Intellectual Property Organization
International Bureau



(43) International Publication Date
4 April 2002 (04.04.2002)

PCT

(10) International Publication Number
WO 02/27941 A2

(51) International Patent Classification⁷: H03M 1/06
// 1/74

DEN BOOM, Jeroen, M.; Prof. Holstlaan 6, NL-5656 AA Eindhoven (NL). DIJKMANS, Eise, C.; Prof. Holstlaan 6, NL-5656 AA Eindhoven (NL).

(21) International Application Number: PCT/EP01/10662

(74) Agent: DULJVESTIJN, Adrianus, J.; INTERNATIONAAL OCTROOIBUREAU B.V., Prof. Holstlaan 6, NL-5656 AA Eindhoven (NL).

(22) International Filing Date:
14 September 2001 (14.09.2001)

(25) Filing Language: English

(81) Designated States (national): JP, KR.

(26) Publication Language: English

(84) Designated States (regional): European patent (AT, BE, CH, CY, DE, DK, ES, FI, FR, GB, GR, IE, IT, LU, MC, NL, PT, SE, TR).

(30) Priority Data:
00203337.1 27 September 2000 (27.09.2000) EP

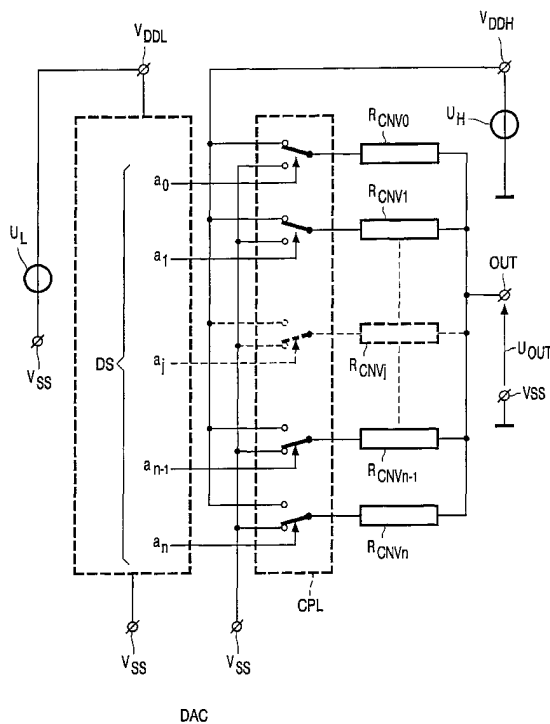
Published:
— without international search report and to be republished upon receipt of that report
— entirely in electronic form (except for this front page) and available upon request from the International Bureau

(71) Applicant: KONINKLIJKE PHILIPS ELECTRONICS N.V. [NL/NL]; Groenewoudseweg 1, NL-5621 BA Eindhoven (NL).

(72) Inventors: WESTRA, Jan, R.; Prof. Holstlaan 6, NL-5656 AA Eindhoven (NL). ANNEMA, Anne, J.; Prof. Holstlaan 6, NL-5656 AA Eindhoven (NL). VAN

For two-letter codes and other abbreviations, refer to the "Guidance Notes on Codes and Abbreviations" appearing at the beginning of each regular issue of the PCT Gazette.

(54) Title: DIGITAL TO ANALOG CONVERTER.



(57) Abstract: A digital to analog converter (DAC) for converting a digital signal (DS) having a maximum voltage range which corresponds to a first supply voltage (UL) into an analog signal (UOUT) having a maximum voltage range which corresponds to a second supply voltage (UH). The first supply voltage (UL) is offered between a first supply terminal (VSS) and a second supply terminal (VDDL). The second supply voltage (UH) is offered between the first supply terminal (VSS) and a third supply terminal (VDDH). The digital to analog converter (DAC) comprises conversion resistors (RCNV0 - RCNVn) and coupling means (CPL) for coupling a number of said conversion resistors (RCNV2 - RCNVn) in between the first supply terminal (VSS) and an output terminal (OUT), and for coupling the remainder of said conversion resistors (RCNV0 - RCNV1) in between the third supply terminal (VDDH) and the output terminal (OUT). The value of said number depends on the data content of the digital signal (DS). Digital to analog converters are generally implemented in ICs. For modern ICs there is a trend toward ever decreasing supply voltages. Often circuits implemented in new IC processes have to be able to interface with ICs processed in less modern processes which are generally operated on higher supply voltages. In the modern process, therefore, circuits designed in modern ICs have to cope with voltages which are above the maximum specification for their transistors or other components. The DA-converter (DAC) mentioned above fulfils this requirement by the fact that material, such as polycrystalline silicon, is used for the conversion resistors (RCNV2 - RCNVn), which material can cope with relatively high voltages, and furthermore by the fact that only the coupling means (CPL) have to be designed to cope with relatively high voltages.

WO 02/27941 A2

